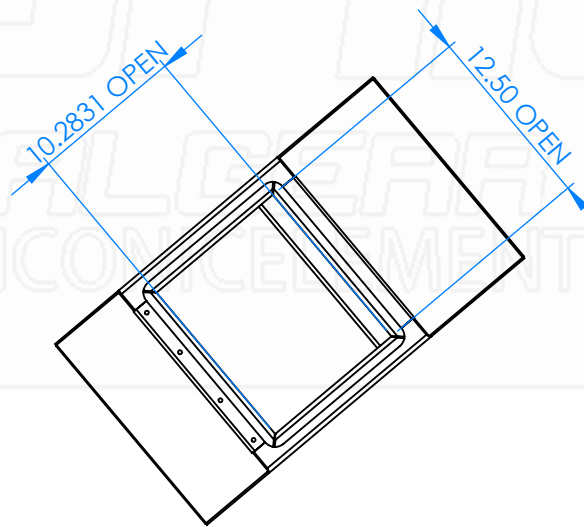
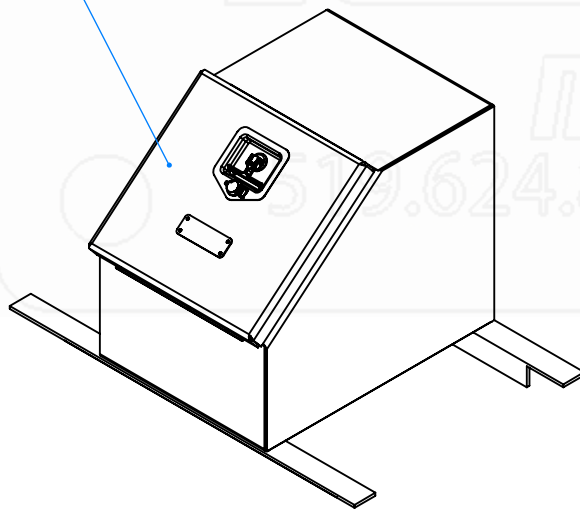


CHECKER LID



VIEW C  
SCALE 1 : 13

Part No.:

**1818**

MATERIAL: 5052 (Alum)

THICKNESS: 0.125

FINISH: Smooth

DWG. NO.: 3504-C-00-E

Approx. Weight: 32.99 lbs

Surf. Area: 34.18 sq. ft.

**ICONIC ELEMENTS (ICONIC METALGEAR)** TITLE:

PROPRIETARY AND CONFIDENTIAL  
NO PART OF THIS DOCUMENT MAY BE REPRODUCED, STORED IN A RETRIEVAL SYSTEM, OR TRANSMITTED IN ANY FORM, WITHOUT THE WRITTEN PERMISSION OF Iconic Elements Inc. (ICONIC METALGEAR)

16" Boot Box (CH Lid)

REV: SHEET:

E 1 OF 1