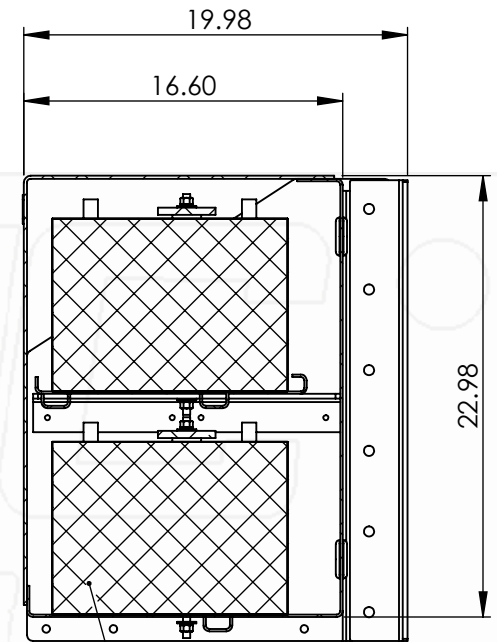
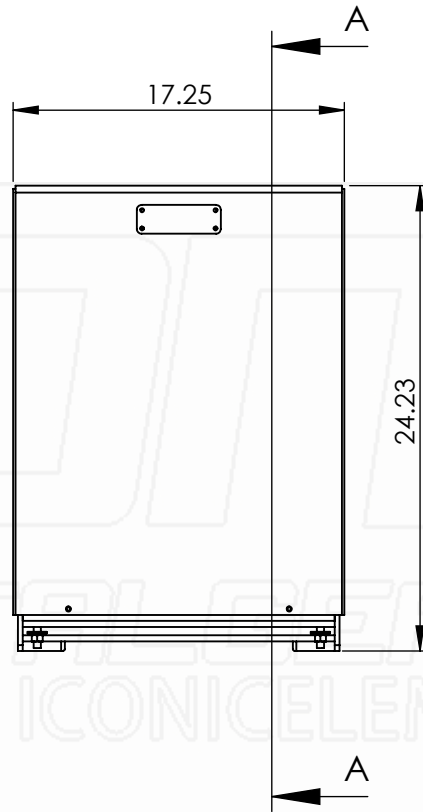
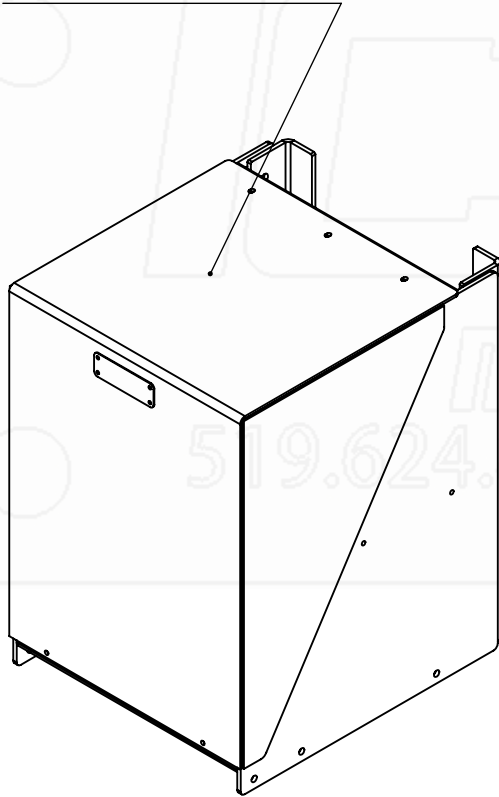


****CHECKER FRONT****



BATTERIES FOR REF.
SECTION A-A

Part No.:

1810

MATERIAL: 5052 (Alum)

THICKNESS: 0.125

FINISH: Smooth

DWG. NO.: 1584-0-00-H

Approx. Weight: 71.86 lbs

Surf. Area: 79.42 sq. ft.

ICONIC ELEMENTS (ICONIC METALGEAR) TITLE:

PROPRIETARY AND CONFIDENTIAL
NO PART OF THIS DOCUMENT MAY BE REPRODUCED, STORED IN A RETRIEVAL SYSTEM, OR TRANSMITTED IN ANY FORM, WITHOUT THE WRITTEN PERMISSION OF Iconic Elements Inc. (ICONIC METALGEAR)

Battery No-Step Box

REV: SHEET:

H 1 OF 1