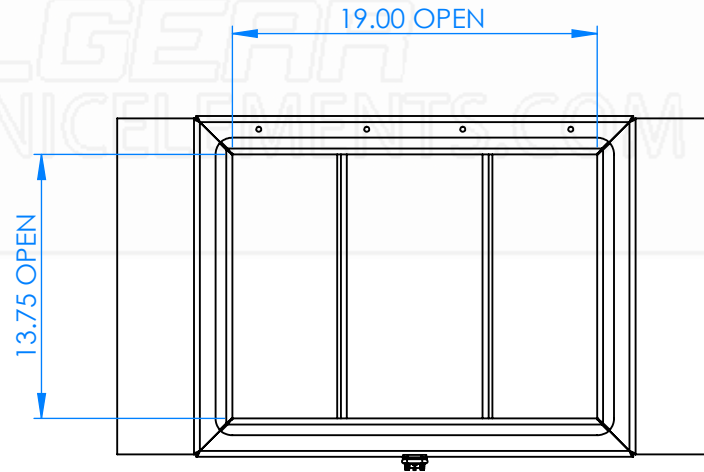
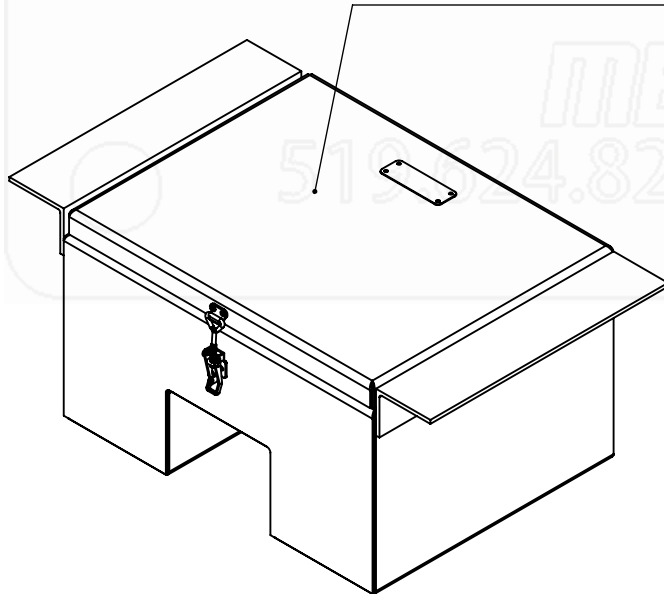


****CHECKER LID****



Part No.:

1802

MATERIAL: 5052 (Alum)

Approx. Weight: 33.40 lbs

Surf. Area: 35.22 sq. ft.

THICKNESS: 0.125

ICONIC ELEMENTS (ICONIC METALGEAR) TITLE:

PROPRIETARY AND CONFIDENTIAL
NO PART OF THIS DOCUMENT MAY BE REPRODUCED, STORED IN A RETRIEVAL SYSTEM, OR TRANSMITTED IN ANY FORM, WITHOUT THE WRITTEN PERMISSION OF Iconic Elements Inc. (ICONIC METALGEAR)

FINISH: Smooth

13" In-frame Box

DWG. NO.: 3503-0-00-G

REV: SHEET:

G 1 OF 1