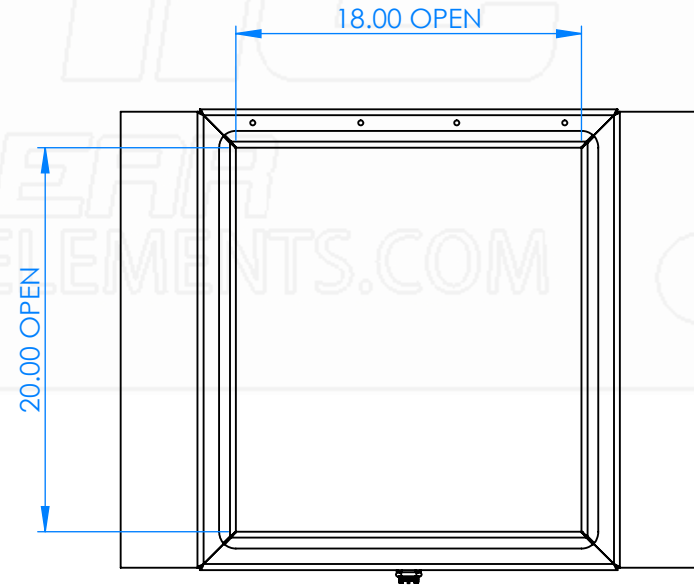
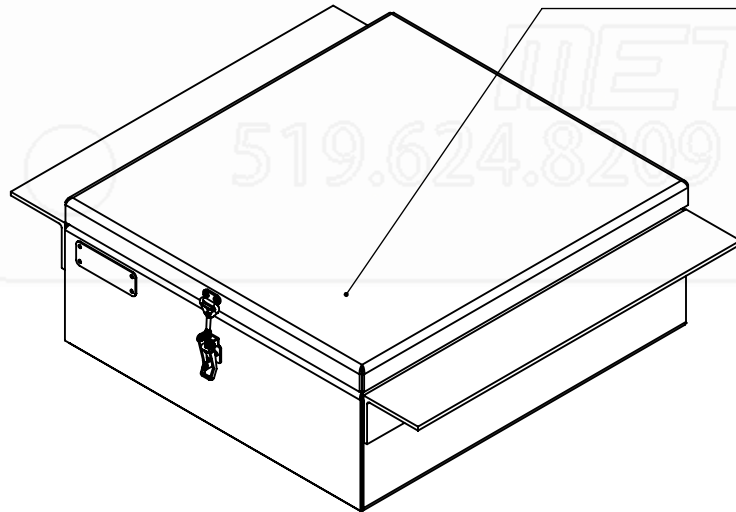


CHECKER LID



Part No.:

1801

MATERIAL: 5052 (Alum)

Approx. Weight: 34.84 lbs

Surf. Area: 35.61 sq. ft.

THICKNESS: 0.125

ICONIC ELEMENTS (ICONIC METALGEAR) TITLE:

PROPRIETARY AND CONFIDENTIAL
NO PART OF THIS DOCUMENT MAY BE REPRODUCED, STORED IN A RETRIEVAL SYSTEM, OR TRANSMITTED
IN ANY FORM, WITHOUT THE WRITTEN PERMISSION OF Iconic Elements Inc. (ICONIC METALGEAR)

FINISH: Smooth

9" In-frame

DWG. NO.: 3502-0-00-H

REV: SHEET:

H 1 OF 1