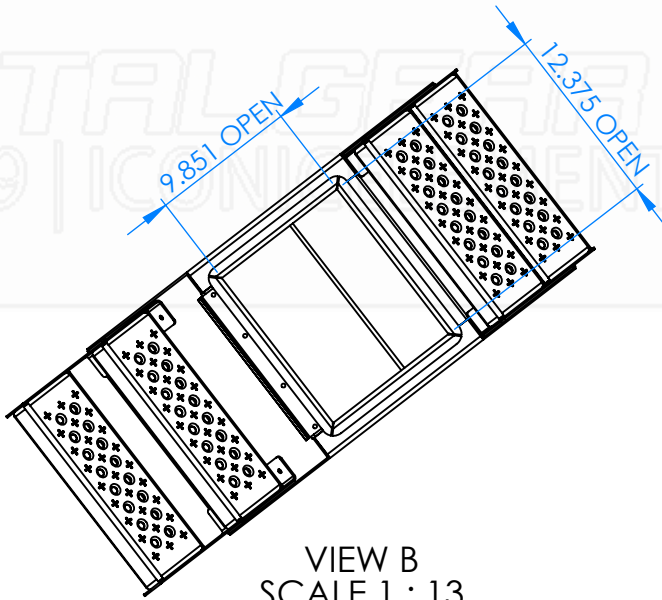
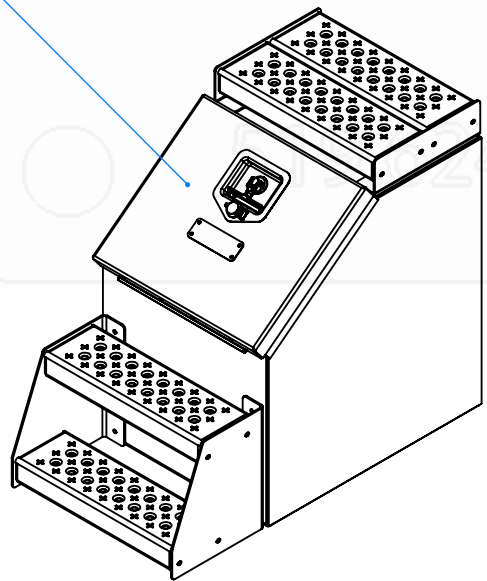


**\*\*14GA. AISI 304 SS. MIRROR LID\*\***



VIEW B  
SCALE 1 : 13

Part No.:	MATERIAL: 5052 (Alum)	THICKNESS: 0.125	FINISH: Smooth	DWG. NO.: 3316-0-00-L
	<b>1527</b>	Approx. Weight: 41.57 lbs	<b>ICONIC ELEMENTS (ICONIC METALGEAR)</b> TITLE: 16" Step Box SS Lid	
	Surf. Area: 46.54 sq. ft.	<small>PROPRIETARY AND CONFIDENTIAL NO PART OF THIS DOCUMENT MAY BE REPRODUCED, STORED IN A RETRIEVAL SYSTEM, OR TRANSMITTED IN ANY FORM, WITHOUT THE WRITTEN PERMISSION OF Iconic Elements Inc. (ICONIC METALGEAR)</small>		REV: L
				SHEET: 1 OF 1

5

4

3

2

1

D

C

B

A