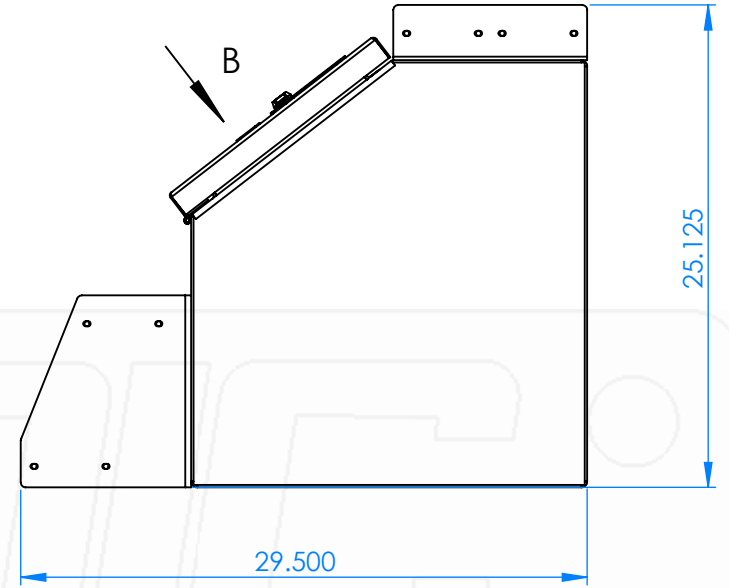


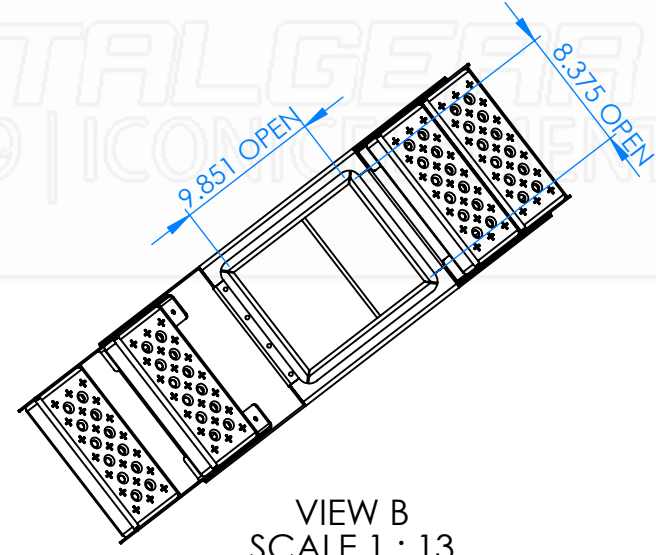
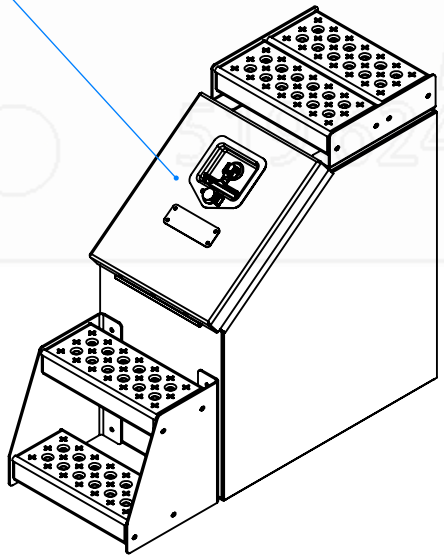
11.875



25.125

29.500

****14GA. AISI 304 SS. MIRROR LID****



VIEW B
SCALE 1 : 13

Part No.: 1526	MATERIAL: 5052 (Alum)	THICKNESS: 0.125	FINISH: Smooth	DWG. NO.: 3315-0-00-L
	Approx. Weight: 34.97 lbs Surf. Area: 39.15 sq. ft.	ICONIC ELEMENTS (ICONIC METALGEAR) TITLE: <small>PROPRIETARY AND CONFIDENTIAL NO PART OF THIS DOCUMENT MAY BE REPRODUCED, STORED IN A RETRIEVAL SYSTEM, OR TRANSMITTED IN ANY FORM, WITHOUT THE WRITTEN PERMISSION OF Iconic Elements Inc. (ICONIC METALGEAR)</small>		REV: SHEET: L 1 OF 1
			12" Step Box SS Lid	

5

4

3

2

1

D
C
B
A