

Part No.:

**1214**

MATERIAL: 3003 (Alum)

THICKNESS: 0.125

FINISH: Checker

DWG. NO.: 3260-0-00-D

Approx. Weight: 376.16 lbs

**ICONIC ELEMENTS (ICONIC METALGEAR)** TITLE:

REV: SHEET:

Surf. Area: 389.90 sq. ft.

PROPRIETARY AND CONFIDENTIAL  
NO PART OF THIS DOCUMENT MAY BE REPRODUCED, STORED IN A RETRIEVAL SYSTEM, OR TRANSMITTED IN ANY FORM, WITHOUT THE WRITTEN PERMISSION OF Iconic Elements Inc. (ICONIC METALGEAR)

B-Pack 925536

**D** 1 OF 2

5

4

3

2

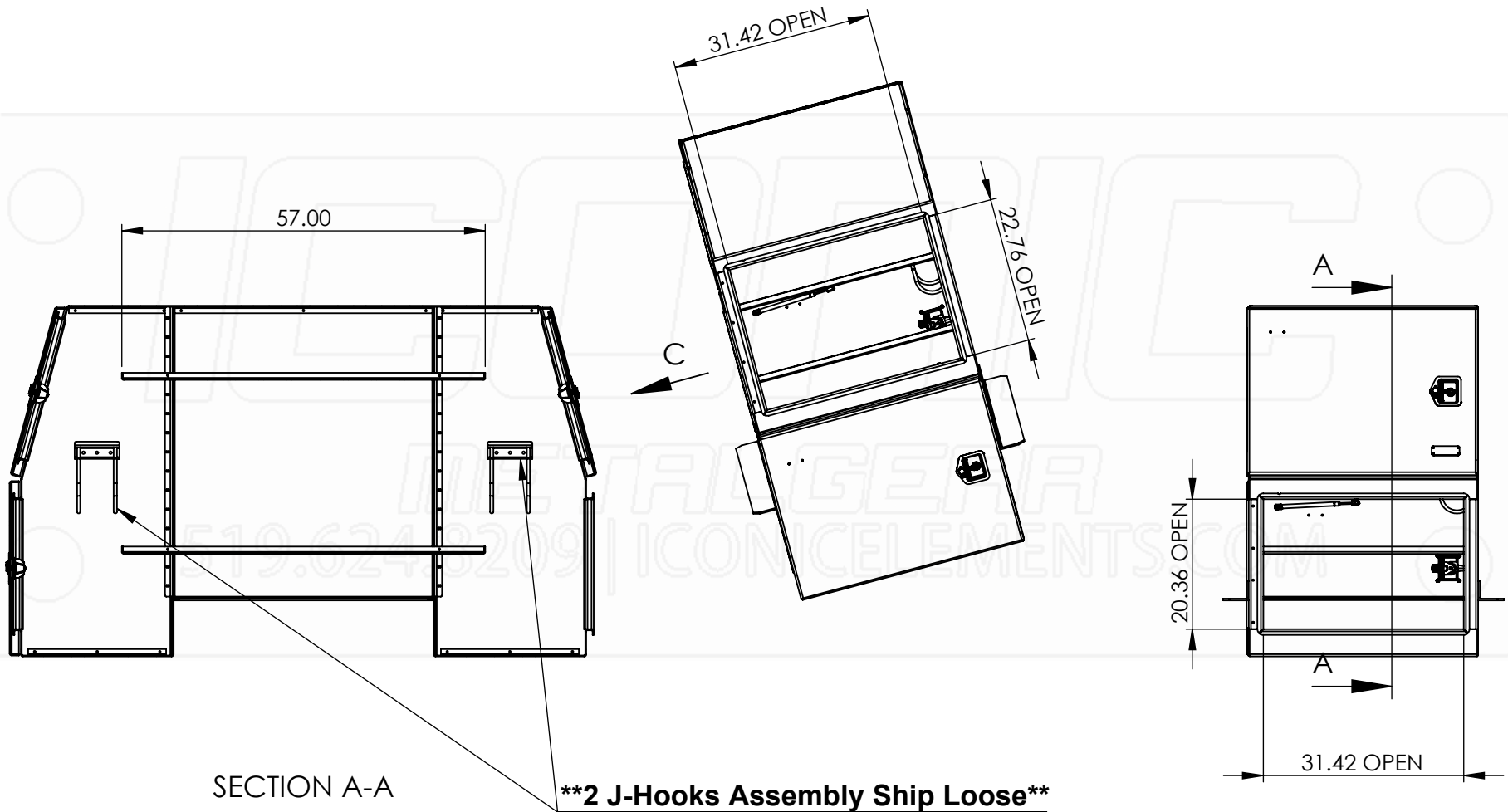
1

D

C

B

A



SECTION A-A

**\*\*2 J-Hooks Assembly Ship Loose\*\***

Part No.:

**1214**

MATERIAL: 3003 (Alum)

Approx. Weight: 376.16 lbs

Surf. Area: 389.90 sq. ft.

THICKNESS: 0.125

**ICONIC ELEMENTS (ICONIC METALGEAR)** TITLE:

PROPRIETARY AND CONFIDENTIAL  
NO PART OF THIS DOCUMENT MAY BE REPRODUCED, STORED IN A RETRIEVAL SYSTEM, OR TRANSMITTED IN ANY FORM, WITHOUT THE WRITTEN PERMISSION OF Iconic Elements Inc. (ICONIC METALGEAR)

FINISH: Checker

B-Pack 925536

DWG. NO.: 3260-0-00-D

REV: SHEET:

**D** 2 OF 2

5

4

3

2

1

D

C

B

A