

Part No.:

1212

MATERIAL: 3003 (Alum)

Approx. Weight: 304.14 lbs

Surf. Area: 313.44 sq. ft.

THICKNESS: 0.125

ICONIC ELEMENTS (ICONIC METALGEAR) TITLE:

PROPRIETARY AND CONFIDENTIAL
NO PART OF THIS DOCUMENT MAY BE REPRODUCED, STORED IN A RETRIEVAL SYSTEM, OR TRANSMITTED IN ANY FORM, WITHOUT THE WRITTEN PERMISSION OF Iconic Elements Inc. (ICONIC METALGEAR)

FINISH: Checker

B-Pack 925524

DWG. NO.: 3258-0-00-F

REV: SHEET:

F 1 OF 2

5

4

3

2

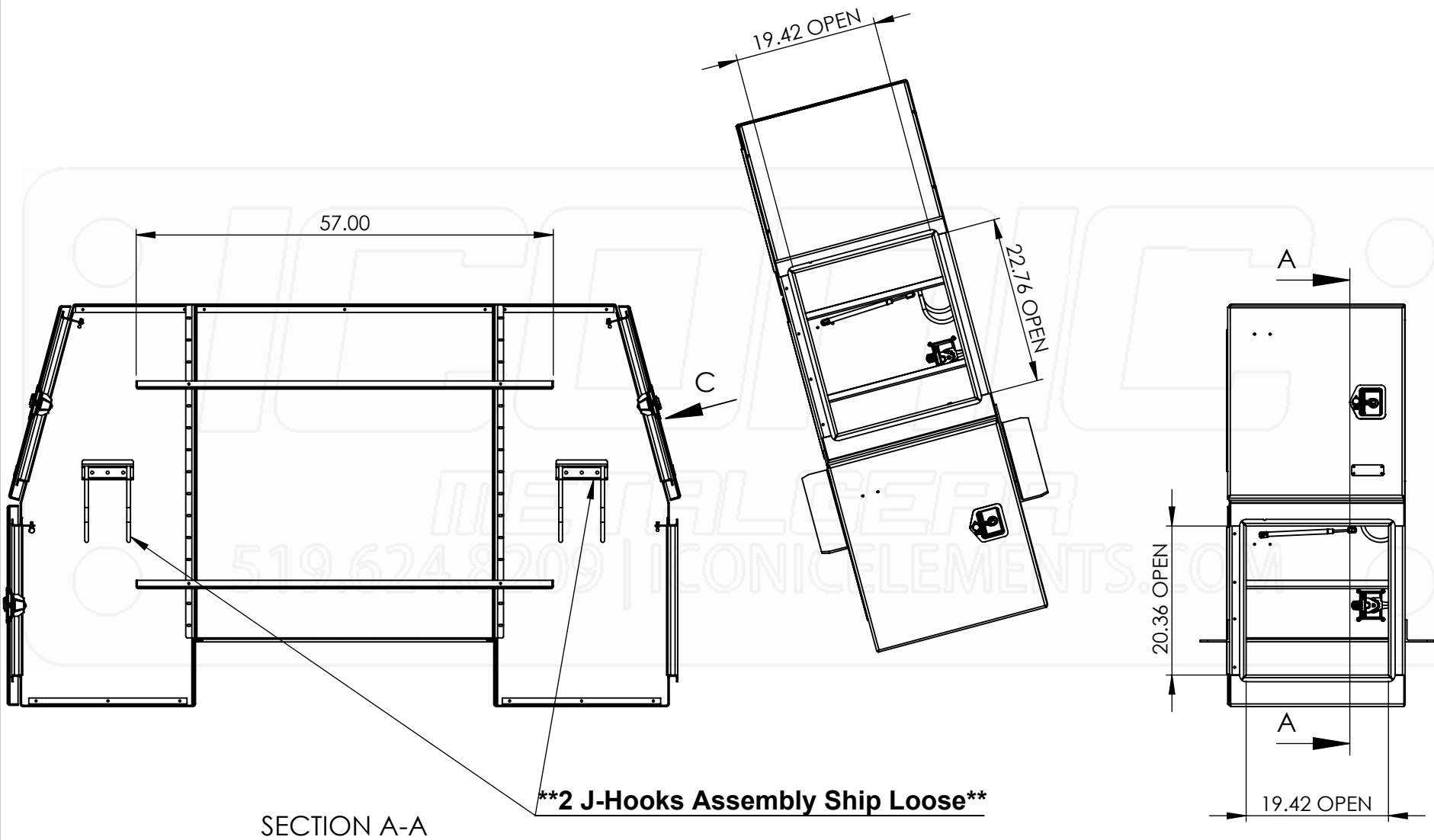
1

D

C

B

A



SECTION A-A

****2 J-Hooks Assembly Ship Loose****

Part No.:

1212

MATERIAL: 3003 (Alum)

Approx. Weight: 304.14 lbs

Surf. Area: 313.44 sq. ft.

THICKNESS: 0.125

ICONIC ELEMENTS (ICONIC METALGEAR) TITLE:

PROPRIETARY AND CONFIDENTIAL
NO PART OF THIS DOCUMENT MAY BE REPRODUCED, STORED IN A RETRIEVAL SYSTEM, OR TRANSMITTED IN ANY FORM, WITHOUT THE WRITTEN PERMISSION OF Iconic Elements Inc. (ICONIC METALGEAR)

FINISH: Checker

B-Pack 925524

DWG. NO.: 3258-0-00-F

REV: SHEET:

F 2 OF 2

5

4

3

2

1

D

C

B

A