

Part No.:

1206

MATERIAL: 3003 (Alum)

THICKNESS: 0.125

FINISH: Checker

DWG. NO.: 3252-0-00-E

Approx. Weight: 282.47 lbs

ICONIC ELEMENTS (ICONIC METALGEAR) TITLE:

REV: SHEET:

Surf. Area: 289.87 sq. ft.

PROPRIETARY AND CONFIDENTIAL
NO PART OF THIS DOCUMENT MAY BE REPRODUCED, STORED IN A RETRIEVAL SYSTEM, OR TRANSMITTED IN ANY FORM, WITHOUT THE WRITTEN PERMISSION OF Iconic Elements Inc. (ICONIC METALGEAR)

B-Pack 825524

E 1 OF 2

5

4

3

2

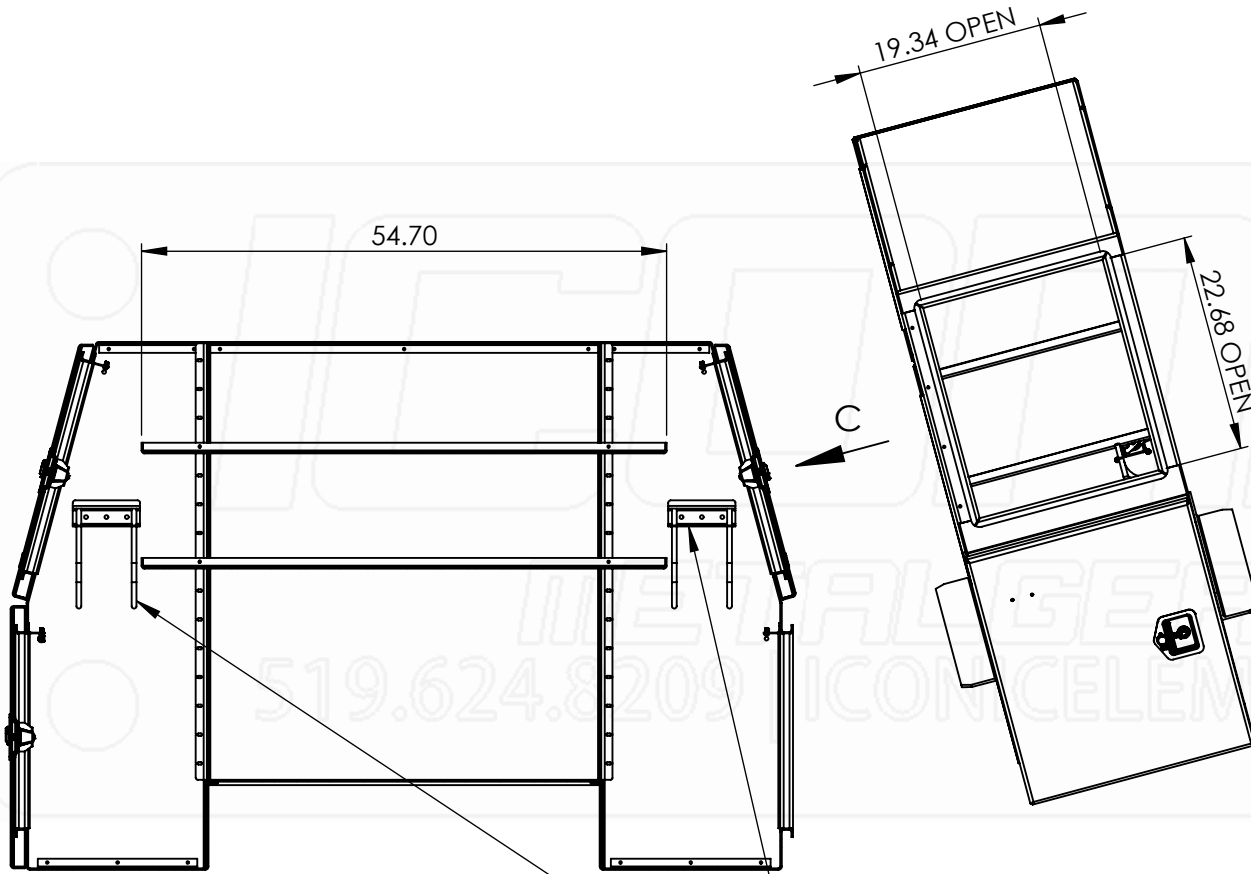
1

D

C

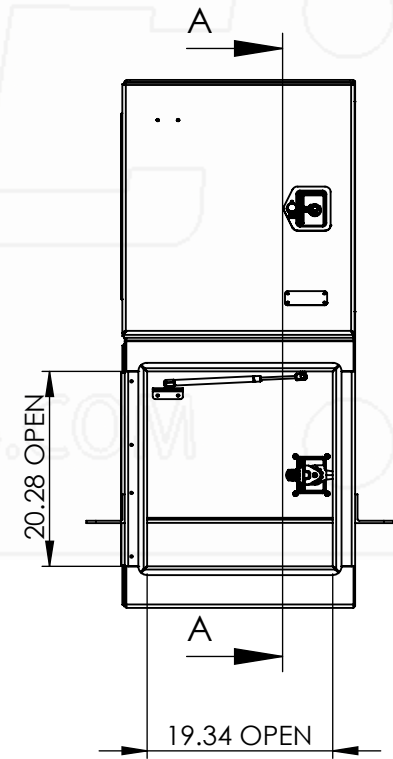
B

A



SECTION A-A

****2 J-Hooks Assembly Ship Loose****



Part No.:

1206

MATERIAL: 3003 (Alum)

Approx. Weight: 282.47 lbs

Surf. Area: 289.87 sq. ft.

THICKNESS: 0.125

ICONIC ELEMENTS (ICONIC METALGEAR) TITLE:

PROPRIETARY AND CONFIDENTIAL
NO PART OF THIS DOCUMENT MAY BE REPRODUCED, STORED IN A RETRIEVAL SYSTEM, OR TRANSMITTED IN ANY FORM, WITHOUT THE WRITTEN PERMISSION OF Iconic Elements Inc. (ICONIC METALGEAR)

FINISH: Checker

B-Pack 825524

DWG. NO.: 3252-0-00-E

REV: SHEET:

E 2 OF 2