

Part No.:

1203

MATERIAL: 5052 (Alum)

THICKNESS: 0.125

FINISH: Smooth

DWG. NO.: 3249-0-00-E

Approx. Weight: 271.08 lbs

ICONIC ELEMENTS (ICONIC METALGEAR) TITLE:

REV: SHEET:

Surf. Area: 289.99 sq. ft.

PROPRIETARY AND CONFIDENTIAL
NO PART OF THIS DOCUMENT MAY BE REPRODUCED, STORED IN A RETRIEVAL SYSTEM, OR TRANSMITTED IN ANY FORM, WITHOUT THE WRITTEN PERMISSION OF Iconic Elements Inc. (ICONIC METALGEAR)

B-Pack 825524

E 1 OF 2

5

4

3

2

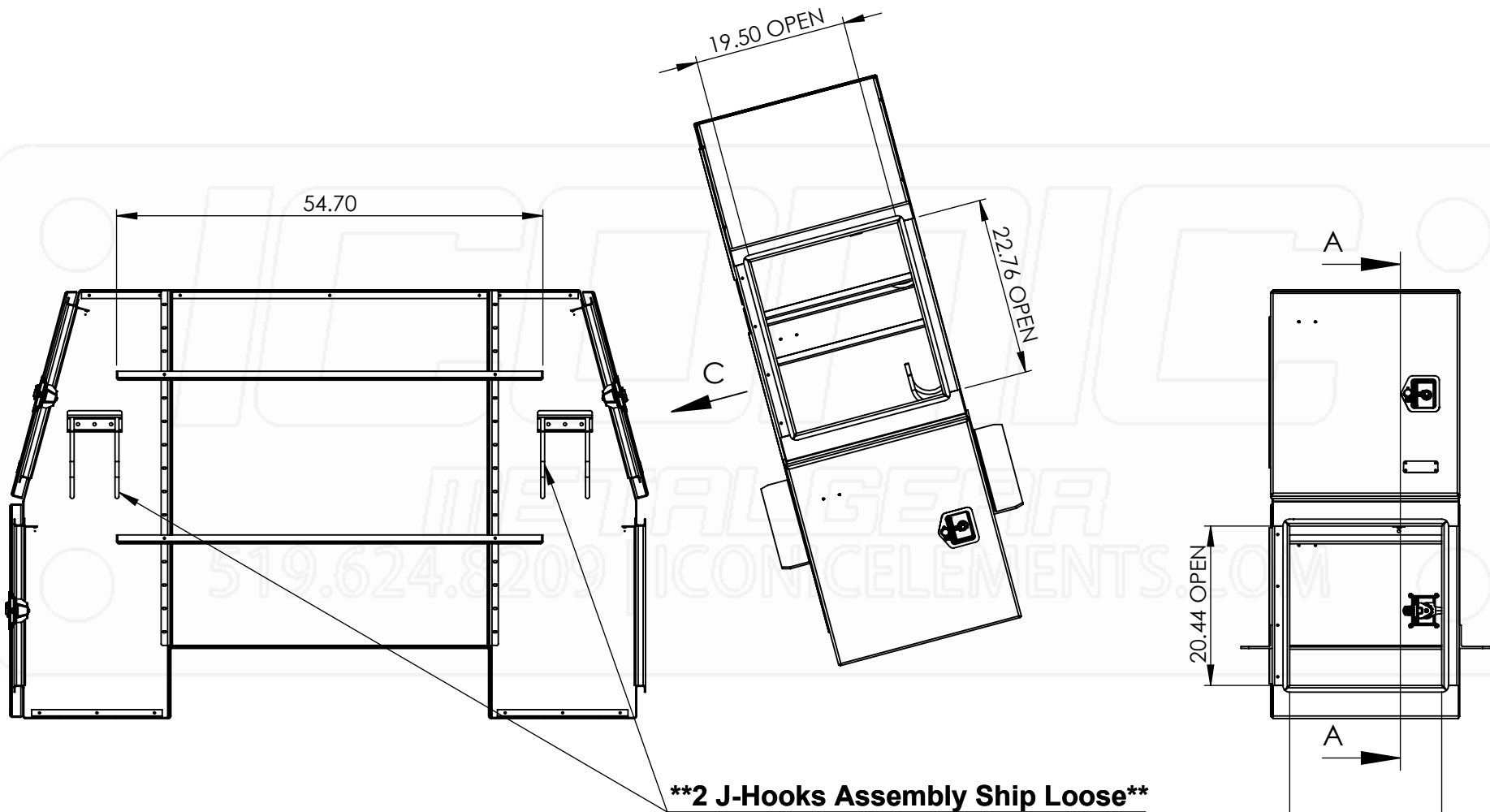
1

D

C

B

A



SECTION A-A

Part No.:

1203

MATERIAL: 5052 (Alum)

Approx. Weight: 271.08 lbs

Surf. Area: 289.99 sq. ft.

THICKNESS: 0.125

ICONIC ELEMENTS (ICONIC METALGEAR) TITLE:

PROPRIETARY AND CONFIDENTIAL
NO PART OF THIS DOCUMENT MAY BE REPRODUCED, STORED IN A RETRIEVAL SYSTEM, OR TRANSMITTED IN ANY FORM, WITHOUT THE WRITTEN PERMISSION OF Iconic Elements Inc. (ICONIC METALGEAR)

FINISH: Smooth

B-Pack 825524

DWG. NO.: 3249-0-00-E

REV: SHEET:

E 2 OF 2

5

4

3

2

1

D

C

B

A