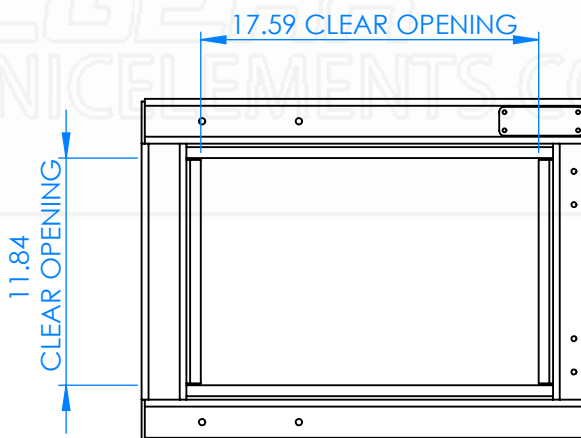
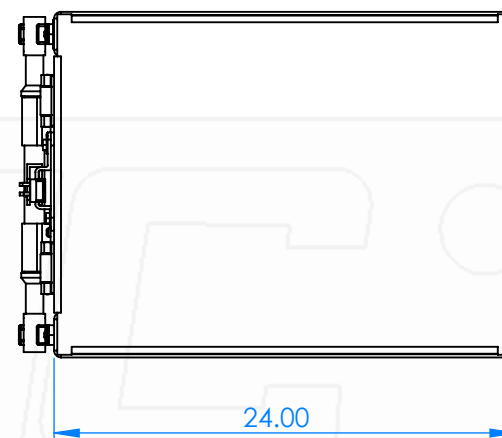
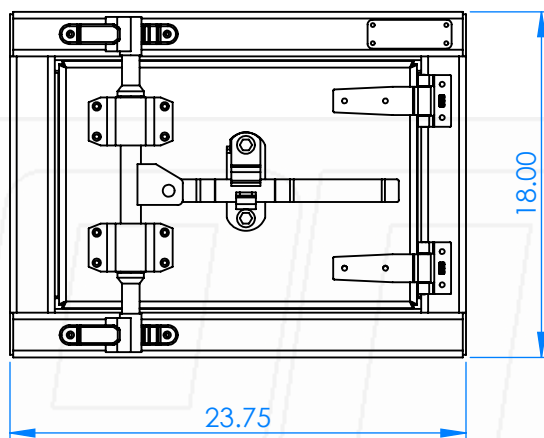
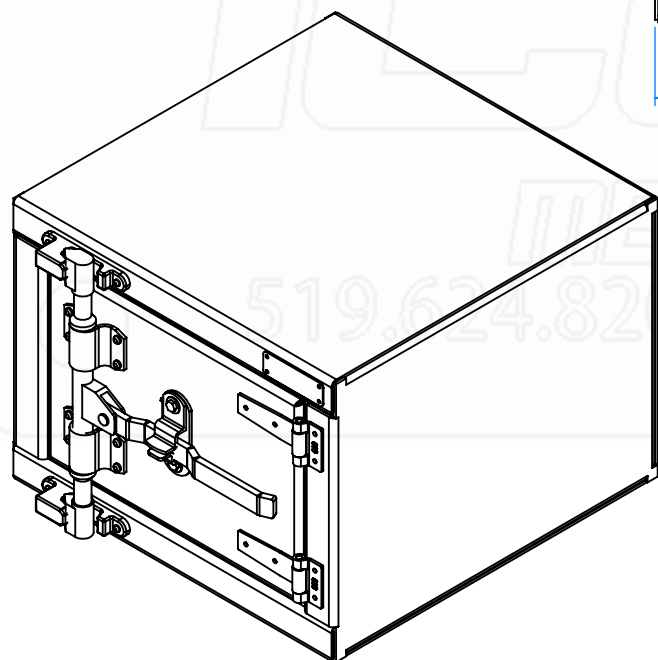


REVISIONS			
REV.	DESCRIPTION	DATE	REV BY
A	Preliminary	2024-06-11	RM



Part No.:

1075

MATERIAL: 3003 (Alum)

Approx. Weight: 53.70 lbs
Surf. Area: 46.23 sq. ft.

THICKNESS: 0.125

ICONIC ELEMENTS (ICONIC METALGEAR) TITLE:

PROPRIETARY AND CONFIDENTIAL
NO PART OF THIS DOCUMENT MAY BE REPRODUCED, STORED IN A RETRIEVAL SYSTEM, OR TRANSMITTED IN ANY FORM, WITHOUT THE WRITTEN PERMISSION OF Iconic Elements Inc. (ICONIC METALGEAR)

FINISH: Checker

24 x 18 x 24 Camlock

DWG. NO.: 3149-0-00-A

REV: SHEET:

A 1 OF 1