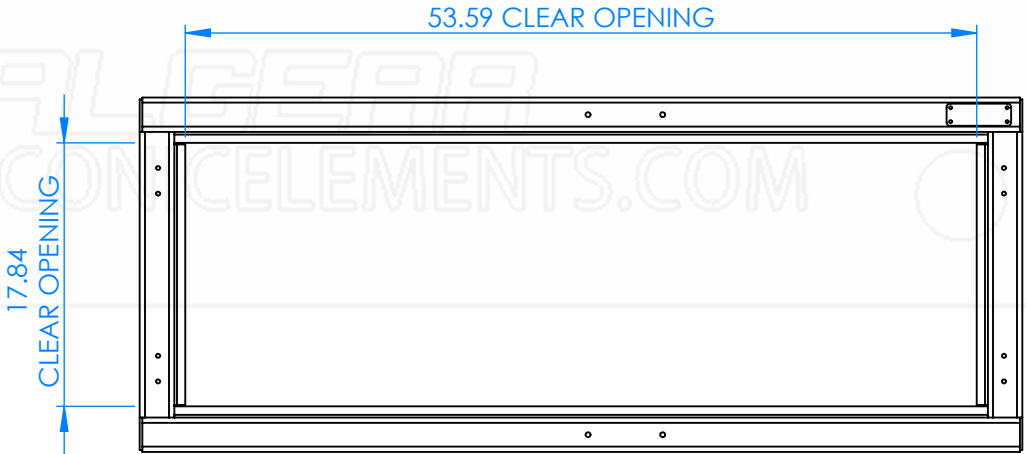
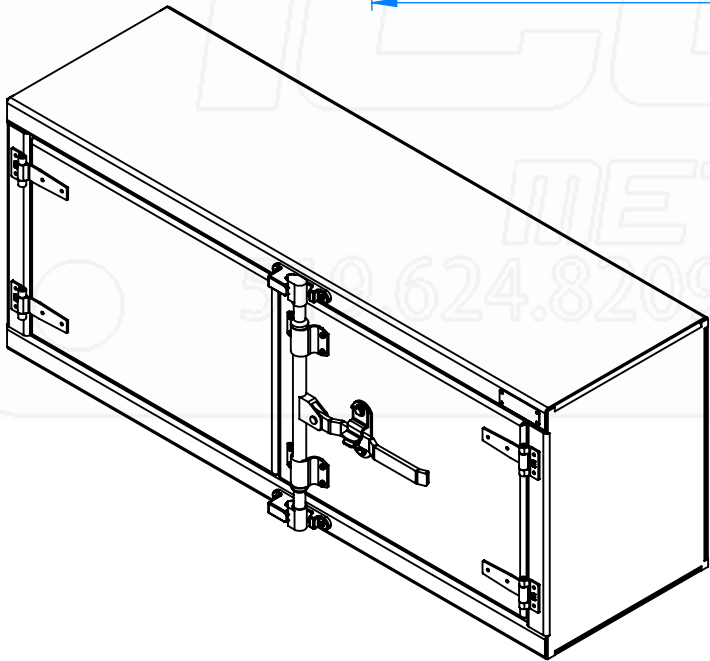
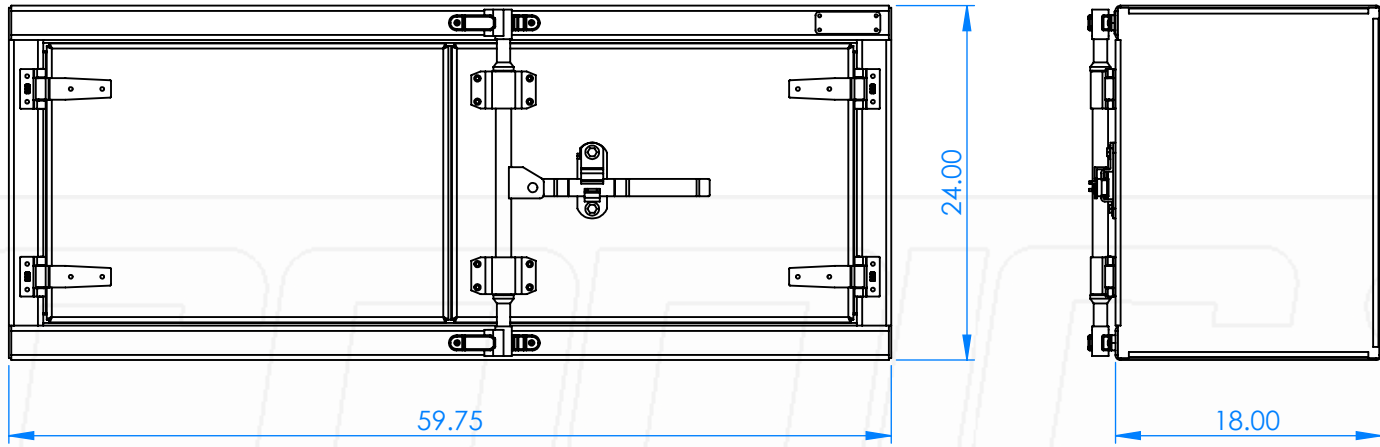


REVISIONS			
REV.	DESCRIPTION	DATE	REV BY
A	Preliminary	2024-06-11	RM



Part No.:

1071

MATERIAL: 3003 (Alum)

THICKNESS: 0.125

FINISH: Checker

DWG. NO.: 3160-0-00-A

Approx. Weight: 99.85 lbs

Surf. Area: 93.86 sq. ft.

ICONIC ELEMENTS (ICONIC METALGEAR) TITLE:

PROPRIETARY AND CONFIDENTIAL
NO PART OF THIS DOCUMENT MAY BE REPRODUCED, STORED IN A RETRIEVAL SYSTEM, OR TRANSMITTED IN ANY FORM, WITHOUT THE WRITTEN PERMISSION OF Iconic Elements Inc. (ICONIC METALGEAR)

60 x 24 x 18 Camlock

REV: SHEET:

A 1 OF 1

5

4

3

2

1