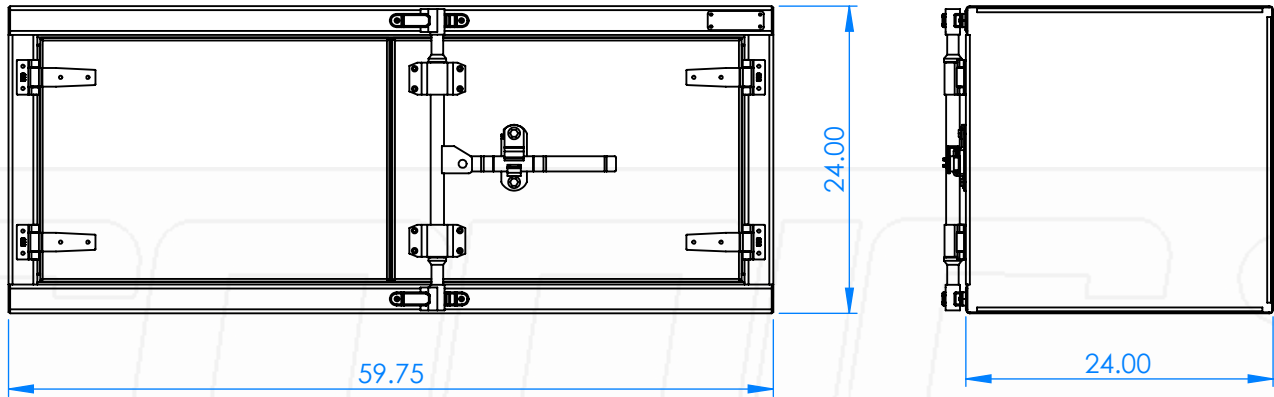
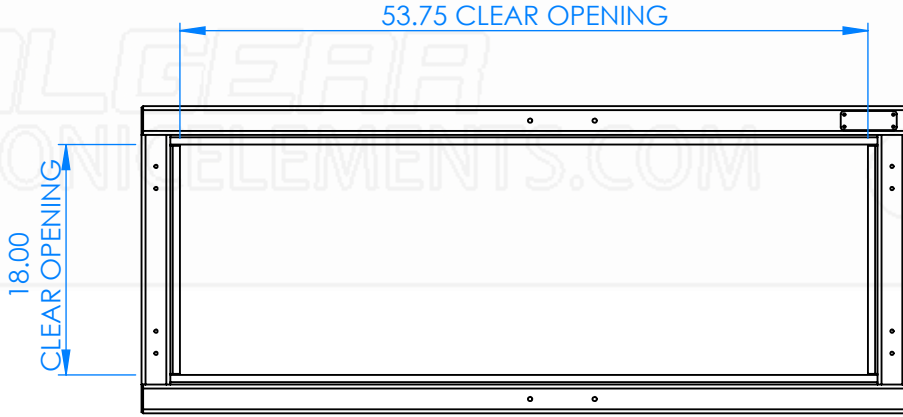
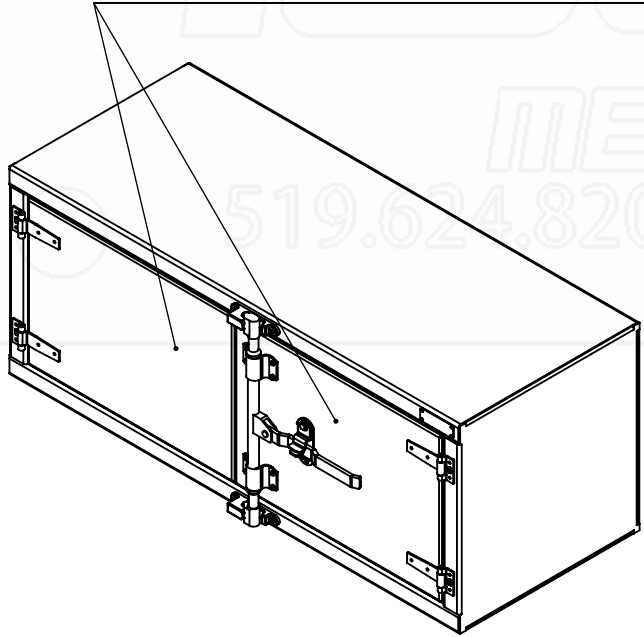


REVISIONS			
REV.	DESCRIPTION	DATE	REV BY
A	Preliminary	2024-06-11	RM



**14GA. AISI 304 S.S MIRROR DOORS**



Part No.:	MATERIAL: 5052 (Alum)	THICKNESS: 0.125	FINISH: Smooth	DWG. NO.: 3161-0-00-A
<b>1069</b>	Approx. Weight: 120.49 lbs	<b>ICONIC ELEMENTS (ICONIC METALGEAR)</b> TITLE:		REV: SHEET:
	Surf. Area: 108.08 sq. ft.	60 x 24 x 24 Camlock /SS Door		A 1 OF 1
<small>PROPRIETARY AND CONFIDENTIAL NO PART OF THIS DOCUMENT MAY BE REPRODUCED, STORED IN A RETRIEVAL SYSTEM, OR TRANSMITTED IN ANY FORM, WITHOUT THE WRITTEN PERMISSION OF Iconic Elements Inc. (ICONIC METALGEAR)</small>				

5

4

3

2

1

D

C

B

A