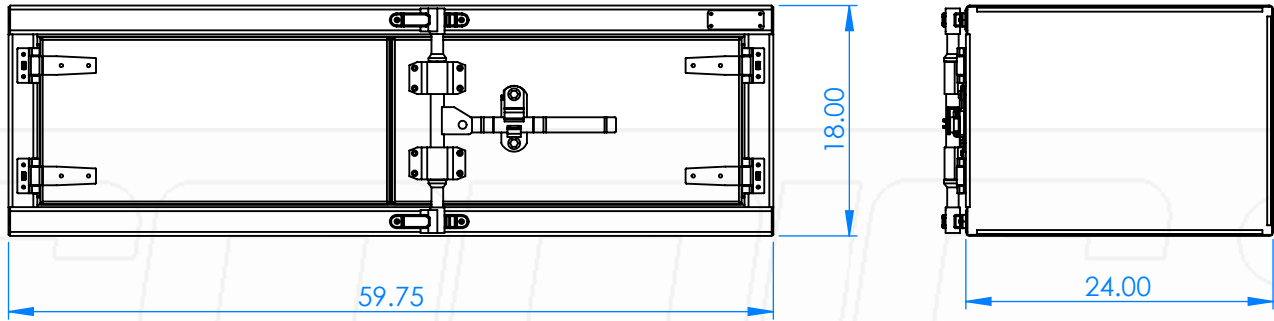
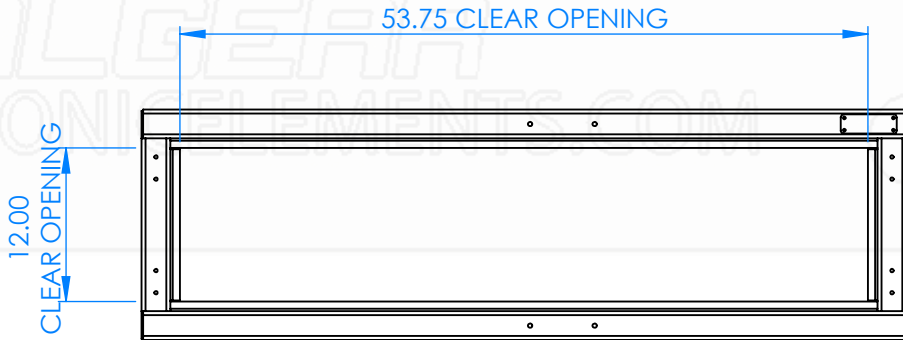
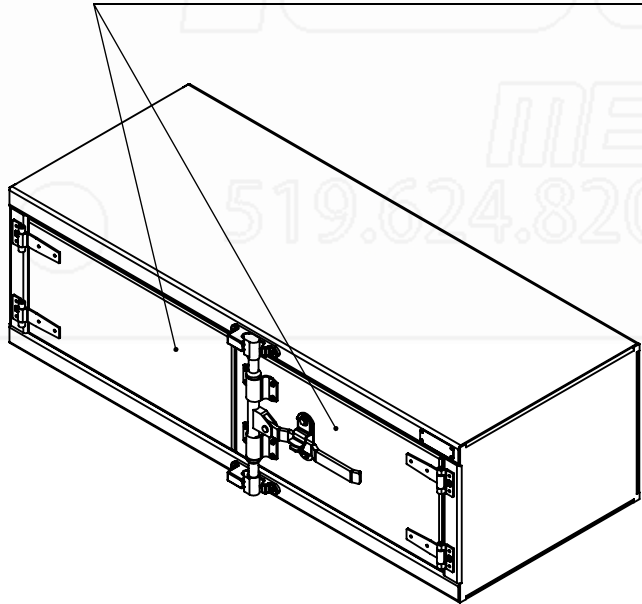


REVISIONS			
REV.	DESCRIPTION	DATE	REV BY
A	Preliminary	2024-06-11	RM



14GA. AISI 304 S.S MIRROR DOORS



Part No.: 1068	MATERIAL: 5052 (Alum)	THICKNESS: 0.125	FINISH: Smooth	DWG. NO.: 3162-0-00-A
	Approx. Weight: 102.35 lbs Surf. Area: 92.92 sq. ft.	ICONIC ELEMENTS (ICONIC METALGEAR) TITLE: <small>NO PART OF THIS DOCUMENT MAY BE REPRODUCED, STORED IN A RETRIEVAL SYSTEM, OR TRANSMITTED IN ANY FORM, WITHOUT THE WRITTEN PERMISSION OF Iconic Elements Inc. (ICONIC METALGEAR)</small>		REV: A SHEET: 1 OF 1

5

4

3

2

1

D

C

B

A