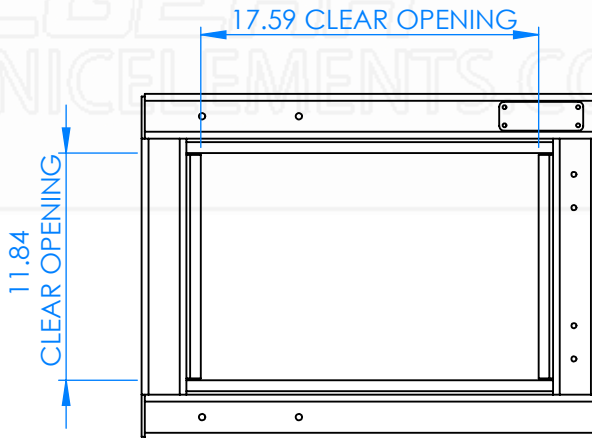
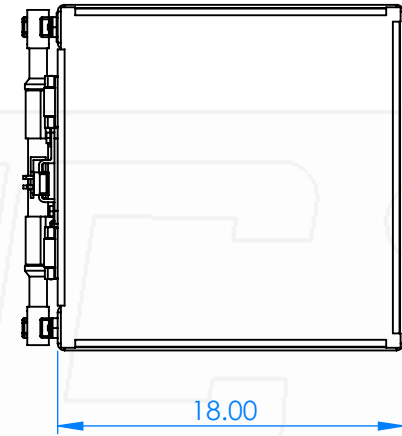
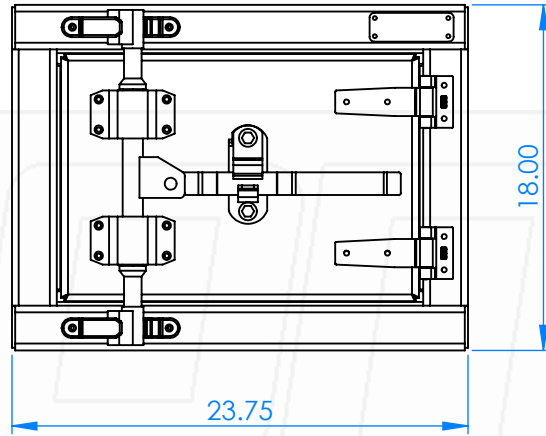
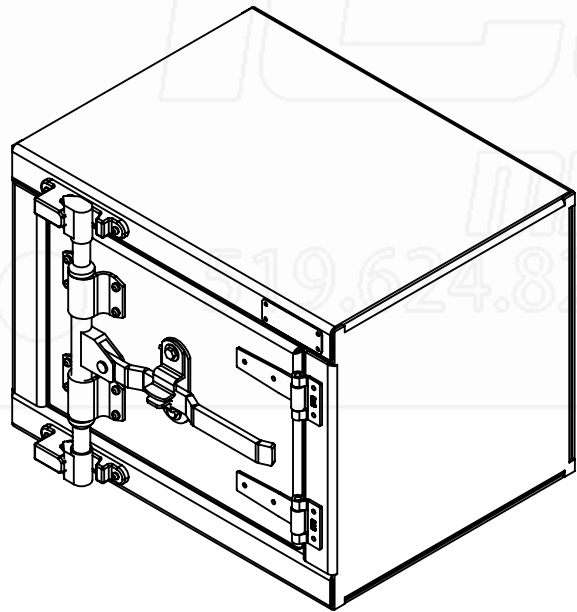


REVISIONS			
REV.	DESCRIPTION	DATE	REV BY
A	Preliminary	2023/04/26	RP



Part No.:

1024

MATERIAL: 3003 (Alum)

Approx. Weight: 47.16 lbs

Surf. Area: 39.13 sq. ft.

THICKNESS: 0.125

ICONIC ELEMENTS (ICONIC METALGEAR) TITLE:

PROPRIETARY AND CONFIDENTIAL
NO PART OF THIS DOCUMENT MAY BE REPRODUCED, STORED IN A RETRIEVAL SYSTEM, OR TRANSMITTED IN ANY FORM, WITHOUT THE WRITTEN PERMISSION OF Iconic Elements Inc. (ICONIC METALGEAR)

FINISH: Checker

24 x 18 x 18 Camlock

DWG. NO.: 3147-0-00-A

REV: SHEET:

A 1 OF 1

5

4

3

2

1

D

C

B

A