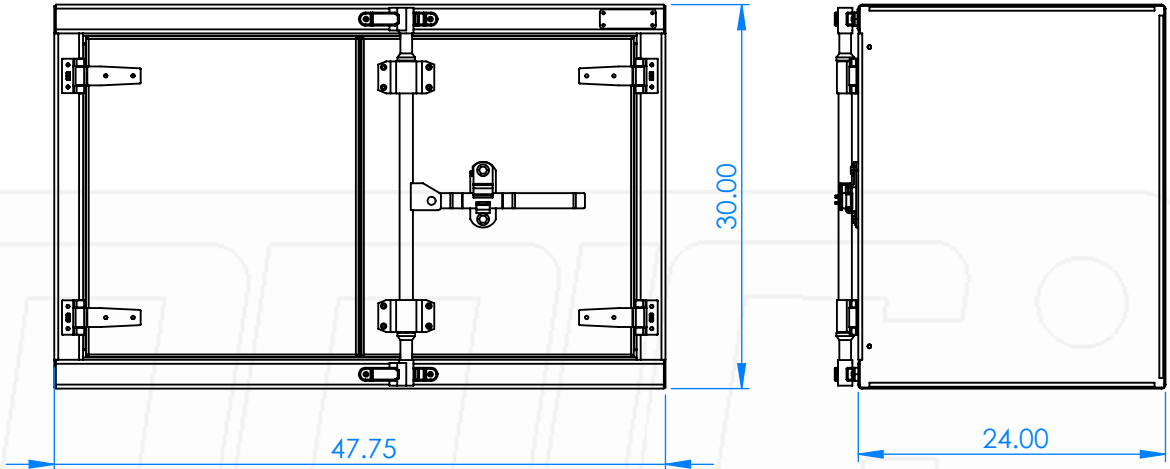
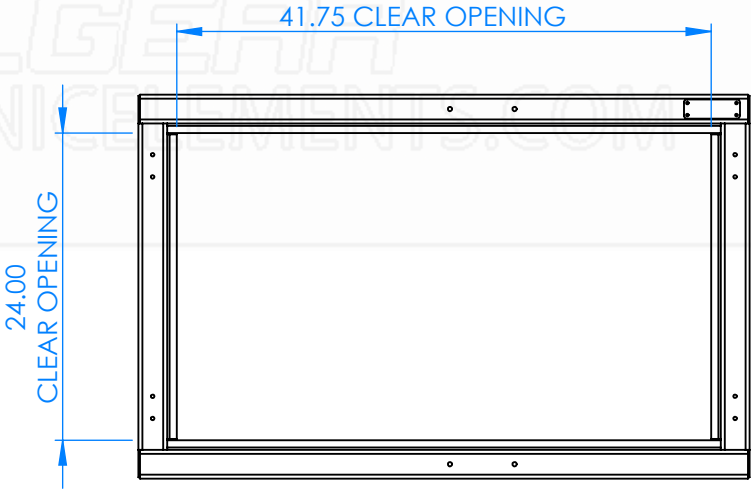
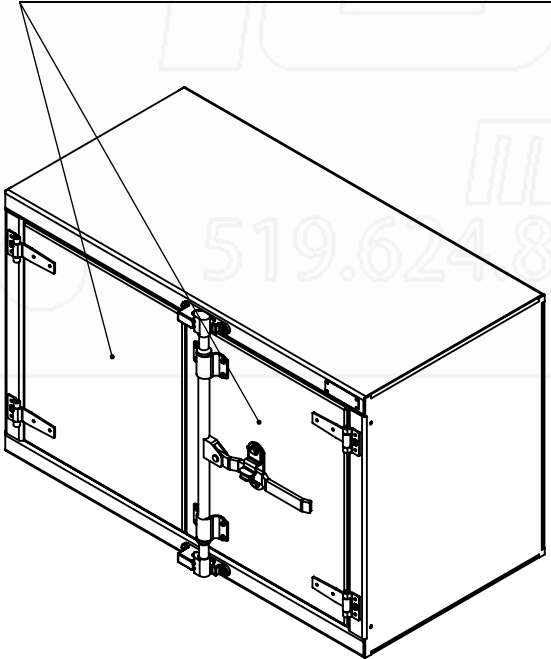


REVISIONS			
REV.	DESCRIPTION	DATE	REV BY
A	Preliminary	2024-06-11	RM



**14GA. AISI 304 S.S MIRROR DOORS**



<b>Part No.:</b> <b>1023</b>	MATERIAL: 5052 (Alum)	THICKNESS: 0.125	FINISH: Smooth	DWG. NO.: 3148-0-00-A
	Approx. Weight: 118.97 lbs Surf. Area: 104.41 sq. ft.	<b>ICONIC ELEMENTS (ICONIC METALGEAR)</b> TITLE: 48 x 30 x 24 Camlock/SS Door		REV: A SHEET: 1 OF 1

PROPRIETARY AND CONFIDENTIAL  
NO PART OF THIS DOCUMENT MAY BE REPRODUCED, STORED IN A RETRIEVAL SYSTEM, OR TRANSMITTED IN ANY FORM, WITHOUT THE WRITTEN PERMISSION OF Iconic Elements Inc. (ICONIC METALGEAR)